

SensoMAG FRL-1 Fire Remote Indicator

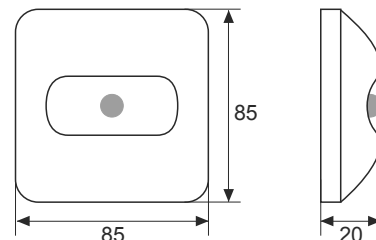
Description

SensoMAG FRL-1 is a fire remote indicator with 1 input. The device repeats the status of 1 or several automatic fire detectors (up to 3 SensoMAG detectors series). The remote indicator operates with limited current detectors.

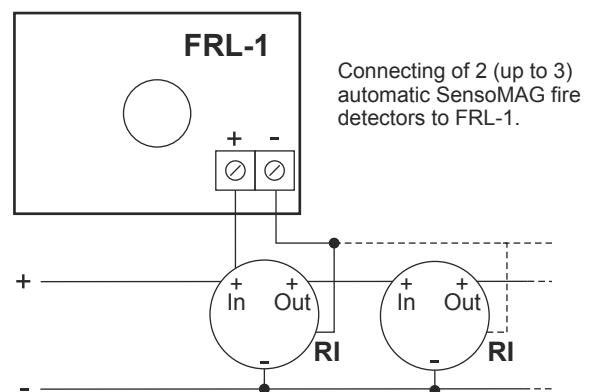
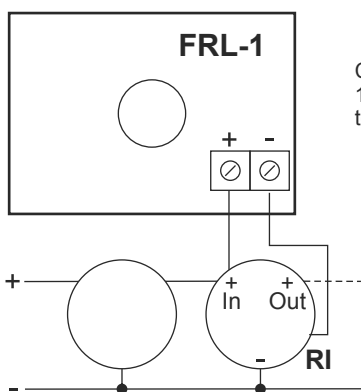


Technical and Environmental Specifications

Current consumption in activated state . . . 30mA
 Wire Gauge for terminals 2.5mm²
 Operating temperature -10°C to +60°C
 Relative humidity resistance (93 ± 3)% @ 40°C
 Weight ~42g
 Dimensions 85x85x20mm
 Material (plastic), color ABS, white



Connection Diagrams



Packing Information

- **Packing box** - 1 unit SensoMAG FRL-1, dimensions 100 x 100 x 20 mm.
- **Carton box** - 75 units SensoMAG FRL-1, dimensions 400 x 300 x 250 mm.

Compatible Product Range

- **B24, B24D, B24RD** - SensoMAG conventional bases

Contact Information: